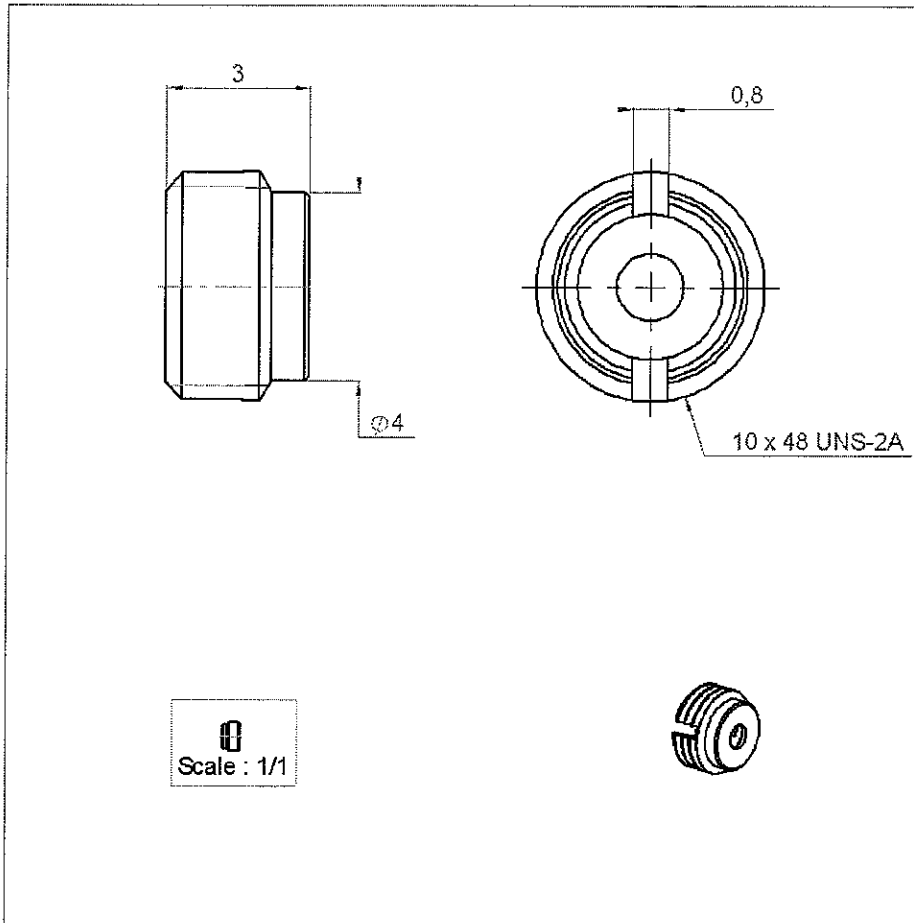


THREAD-IN SHROUD 0.4MM

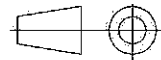
LIMITED DETENT

R222.550.301

Series : SMP



All dimensions are in mm.



COMPONENTS	MATERIALS	PLATINGS (µm)
BODY	STAINLESS STEEL	PASSIVATED .
CENTER CONTACT	-	-
OUTER CONTACT	-	-
INSULATOR	-	-
GASKET	-	-
OTHERS PARTS	-	-
-	-	-
-	-	-

Issue : 0529 B

In the effort to improve our products, we reserve the right to make changes judged to be necessary.



THREAD-IN SHROUD 0.4MM

R222.550.301

LIMITED DETENT

Series : SMP

PACKAGING

SPECIFICATION

Standard	Unit	Other
100	'W' option	Contact us

ELECTRICAL CHARACTERISTICS

ENVIRONMENTAL

Impedance NA Ω
 Frequency NA GHz
 VSWR NA + 0,0000 x F(GHz) Maxi
 Insertion loss NA \sqrt{F} (GHz) dB Maxi
 RF leakage -(NA - F(GHz)) dB Maxi
 Voltage rating NA Veff Maxi
 Dielectric withstanding voltage NA Veff mini
 Insulation resistance NA M Ω mini

Operating temperature -65/+165 ° C
 Hermetic seal NA Atm.cm3/s
 Panel leakage NA

OTHERS CHARACTERISTICS

Assembly instruction

Others :
-

MECHANICAL CHARACTERISTICS

Center contact retention
 Axial force – Mating end NA N mini
 Axial force – Opposite end NA N mini
 Torque NA N.cm mini

Recommended torque
 Mating NA N.cm
 Panel nut 90 N.cm

Mating life 500 Cycles mini
 Weight 0,1400 g

Issue : 0529 B

In the effort to improve our products, we reserve the right to make changes judged to be necessary.



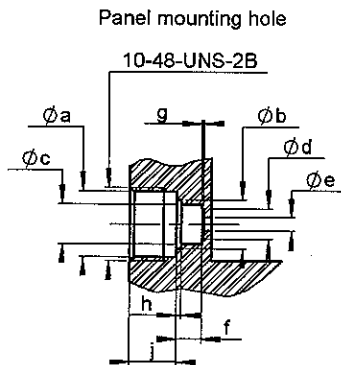
THREAD-IN SHROUD 0.4MM

LIMITED DETENT

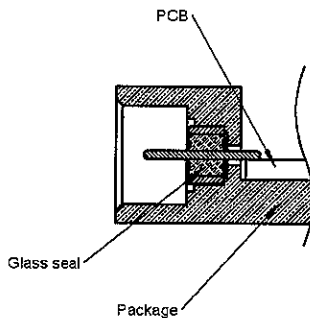
R222.550.301

Series : SMP

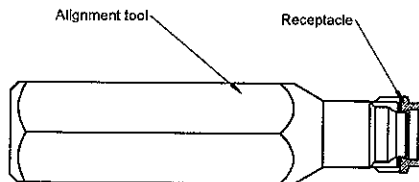
**ADDITIONAL INFORMATIONS
MOUNTING AND REPLACEMENT INSTRUCTIONS**



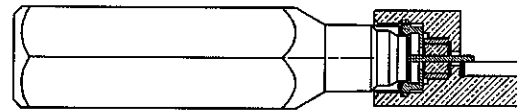
	mini - maxi
a	4,32 - 4,37
b	3,21 - 3,25
c	2,56 - 2,58
d	1,95 - 2,05
e	0,86 - 0,89
f	1,61 - 1,65
g	0,13 - 0,18
h	0,28 - 0,35
j	3,10 - 3,15



1. Connector must be screwed or unscrewed with adapted torque driver R282.339.001 (recommanded coupling torque 90 Ncm)
Alignment tool R282.360.001
2. Slide on the recetacle until it bottoms against tooling



3. Screw the receptacle into the package housing until activation of the torque driver



4. Withdraw the alignment tool

Issue : 0529 B

In the effort to improve our products, we reserve the right to make changes judged to be necessary.

